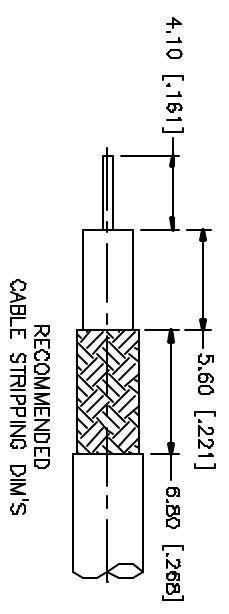
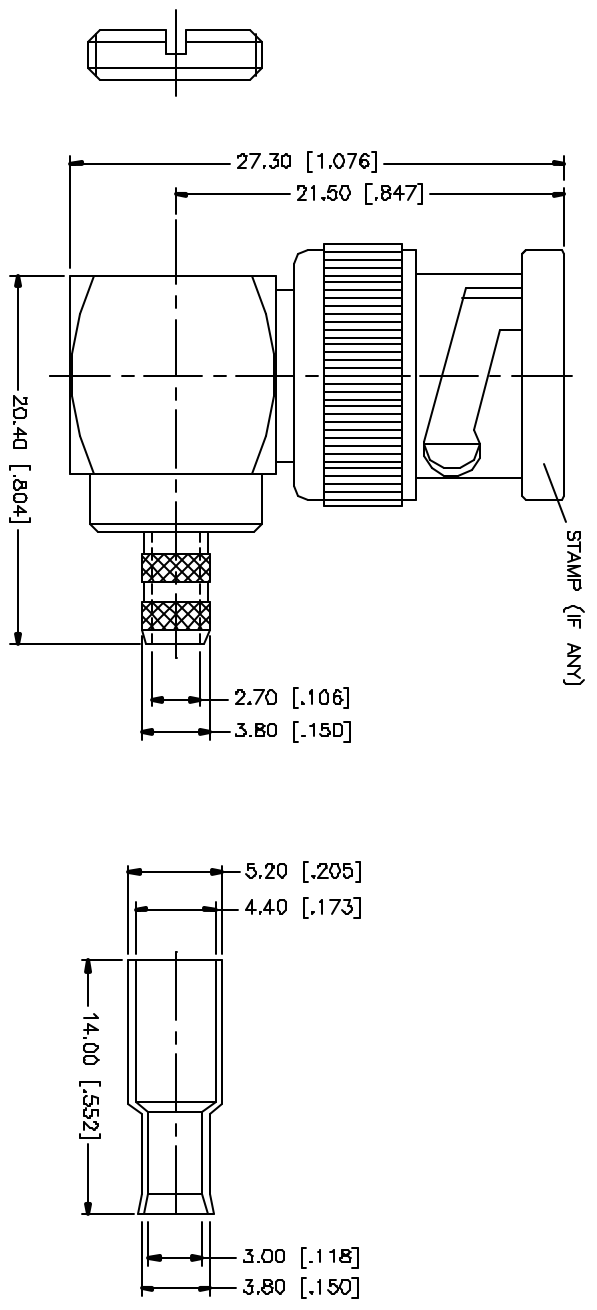


REV.	DATE	DESCRIPTION
A	01/28/03	REVISE BODY DIMENSIONS
B	04/29/04	REMOVE CENTER CONTACT PIN



NO.	DESCRIPTION	MATERIAL	FINISH	QTY	UNIT PRICE	TOTAL PRICE
1	SHELL/BODY	BRASS	NICKEL	1		
2	INSULATOR	DELRIN	NATURAL	1		
3	CONTACT PIN	BRASS	GOLD	1		
4	FERRULE	COPPER	NICKEL	1		
5	NUT	BRASS	NICKEL	1		
6						
7						
8						

UNLESS OTHERWISE SPECIFIED DIMENSIONS ARE IN MILLIMETERS. DIMENSIONS IN INCHES ARE IN PARENTHESES AND FOR CONVERSION PURPOSES ONLY. TOLERANCES FOR MILLIMETERS ARE:

- 0.5 - 3.0mm ± 0.20mm
- 3.0 - 12.0mm ± 0.40mm
- 12.0mm - 30.0mm ± 0.50mm

TOLERANCES FOR INCHES ARE:

- .020 - .315 ± 0.007"
- .315 - 1.180 ± 0.015"
- 1.180 - 4.724 ± 0.020"

DO NOT SCALE DRAWING

APPROVALS	DATE
DRAWN G.R.S.	04/29/04
CHECKED	
DESIGNED	
SHEET 1 OF 1	

CAD FILE C:/112/112179.DWG

DWG. NO. 112179.DWG

REV. B

SIZE A

SCALE NA

Amphenol Comtex

PART DESCRIPTION
BNC R/A CRIMP PLUG - 75ohm
(FOR RG-179 /U, 187A/U CABLE)

PART NO. 112179